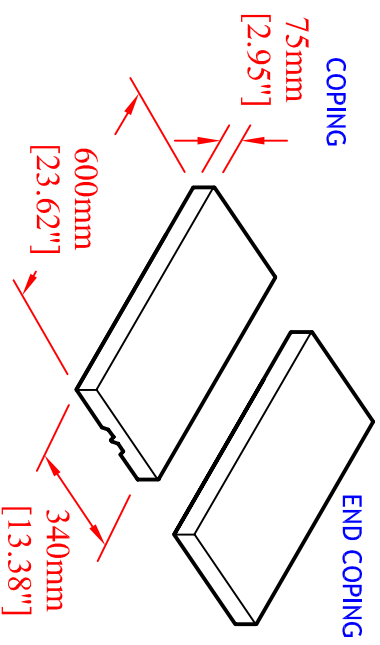
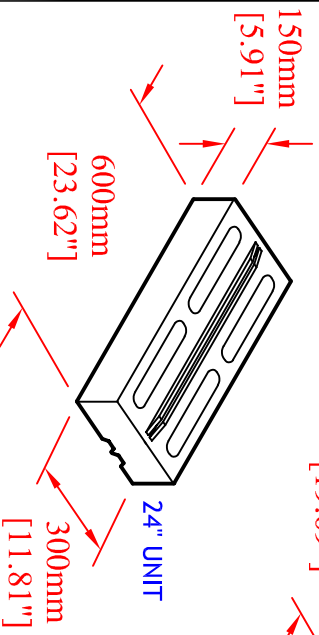
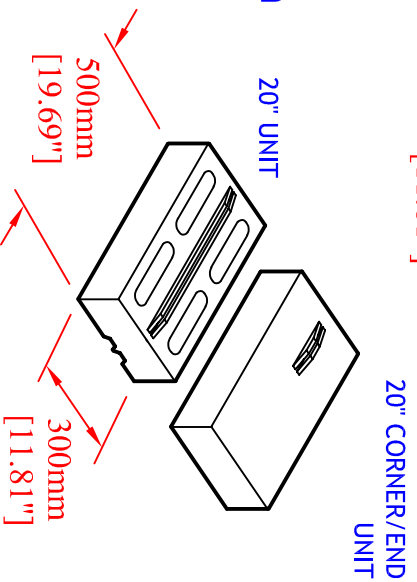


**COMBO BUNDLE**  
There are 2 of each unit per layer



**COPING BUNDLE**  
There are 2 Coping and 1 End Coping per layer

This graphic represents a preliminary, non site-specific design. If used for construction, a registered professional engineer must be retained to review & approve the design, confirm site conditions, and inspect construction.



Nueva Wall 150 System  
Isometric Block Details