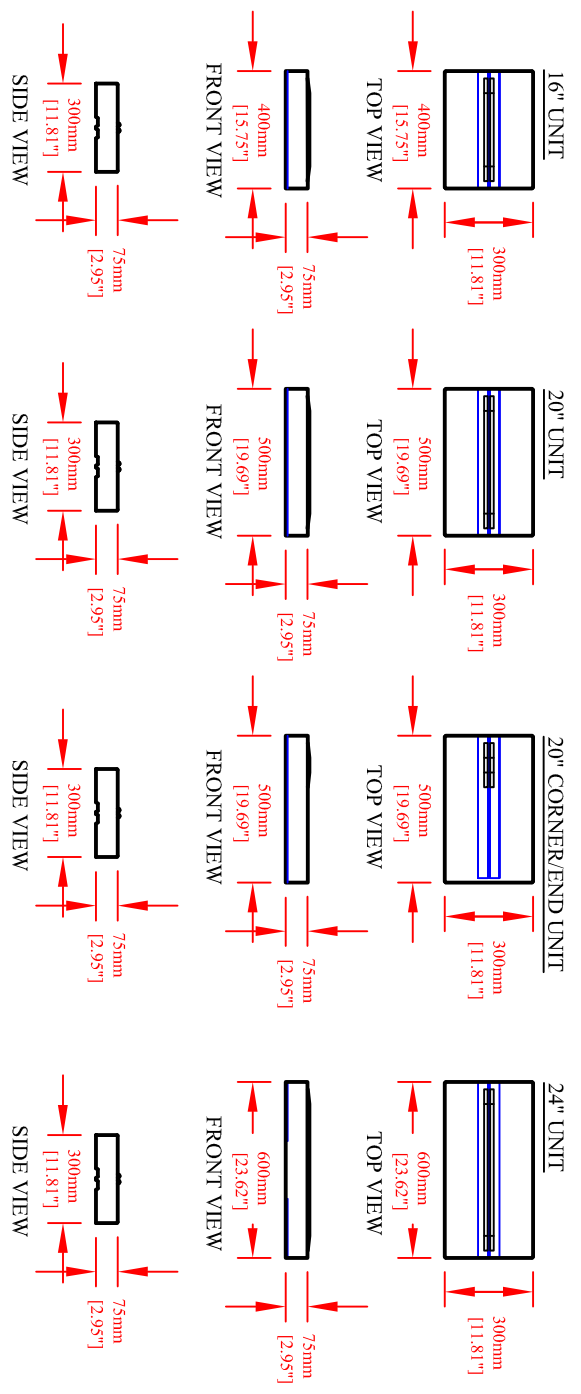
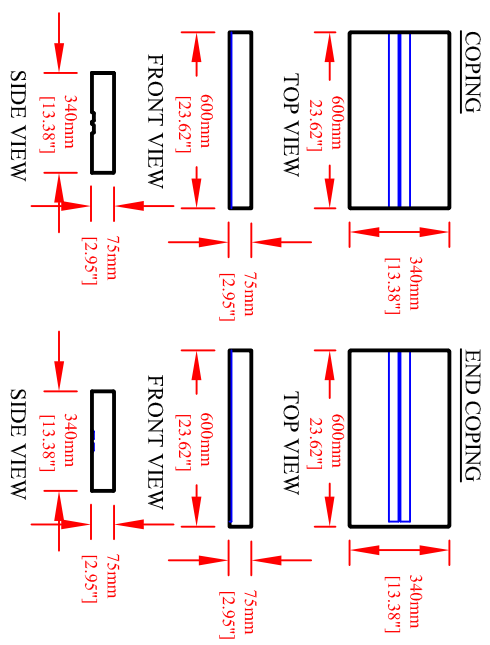


COMBO BUNDLE



COPING BUNDLE



This graphic represents a preliminary, non site-specific design. If used for construction, a registered professional engineer must be retained to review & approve the design, confirm site conditions, and inspect construction.

Nueva 75 Wall System
Individual Block Details

