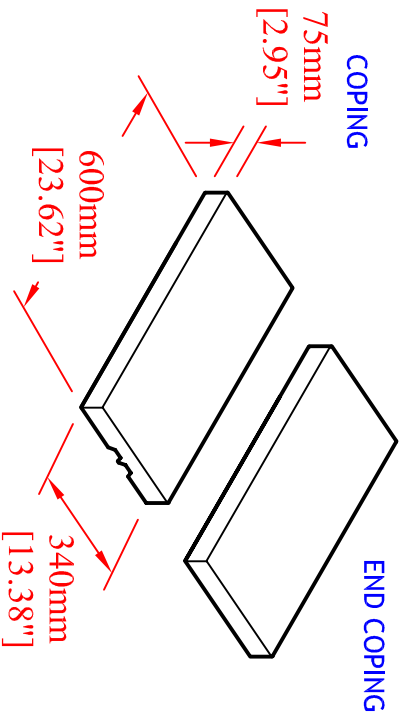
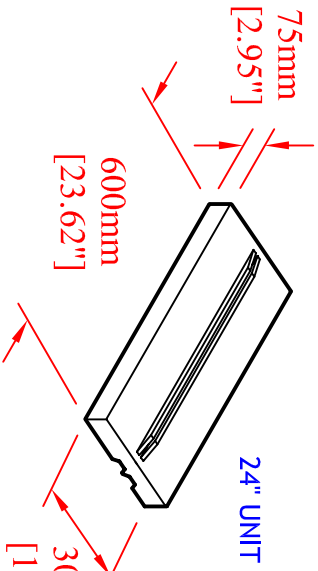
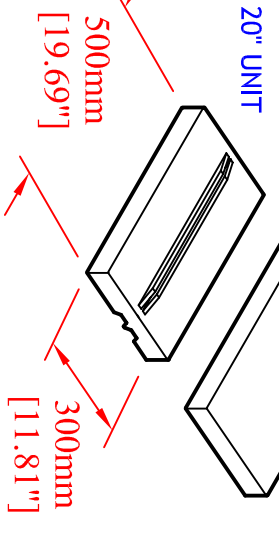


COMBO BUNDLE
 There are 2 of each unit per layer



COPING BUNDLE
 There are 2 Coping and 1 End Coping per layer



This graphic represents a preliminary, non site-specific design. If used for construction, a registered professional engineer must be retained to review & approve the design, confirm site conditions, and inspect construction.

Nueva Wall 75 System
 Isometric Block Details