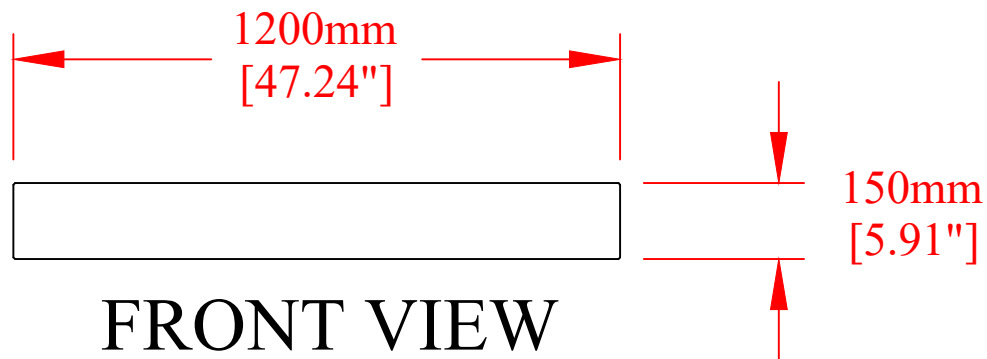
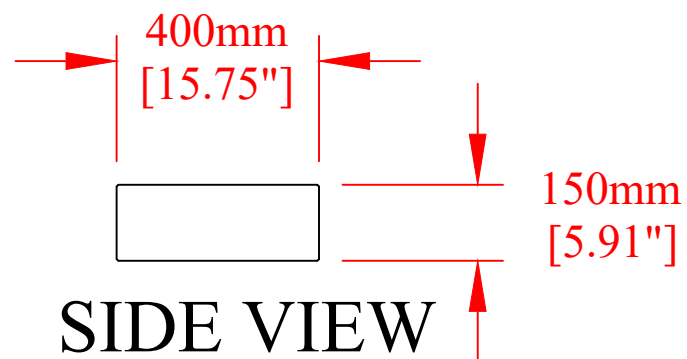


**TOP VIEW**



**FRONT VIEW**



**SIDE VIEW**



These CAD details have been drawn based on the Raster dimensions of the product (center of joint to center of joint) based on a specific joint size. Field layout and measurements are recommended before pouring any concrete curbs.

Nueva Step 1200  
Individual Block Details