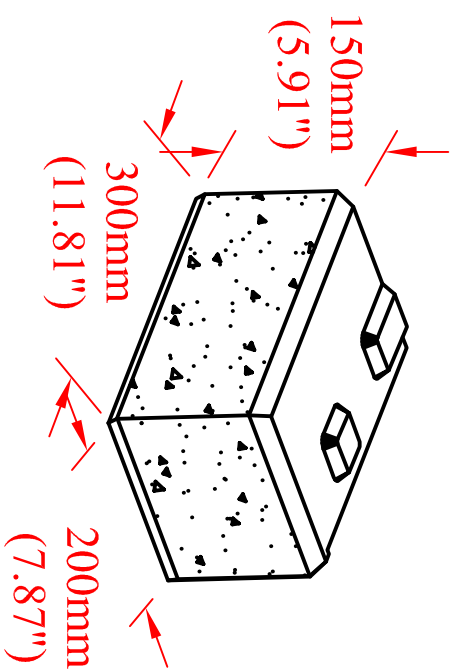
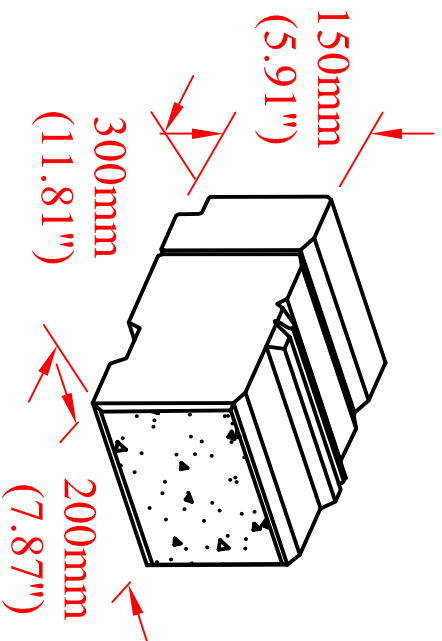


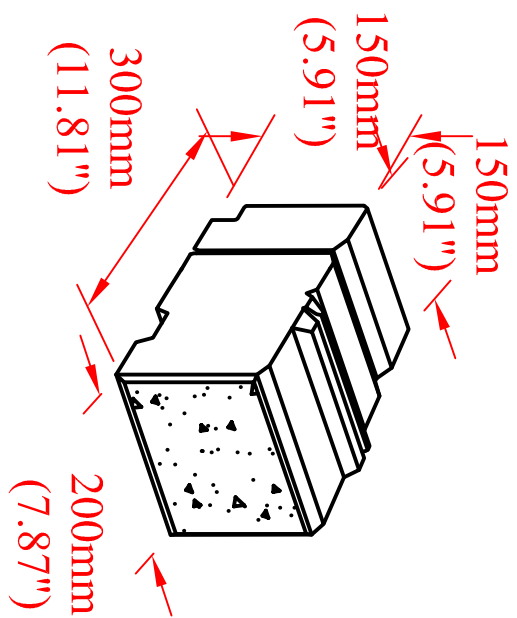
2' SPLIT FACE COPING UNIT



CORNER UNIT



STANDARD UNIT



TAPERED UNIT



This graphic represents a preliminary, non site-specific design. If used for construction, a registered professional engineer must be retained to review & approve the design, confirm site conditions, and inspect construction.

Ortana Retaining Wall System
Isometric Block Details