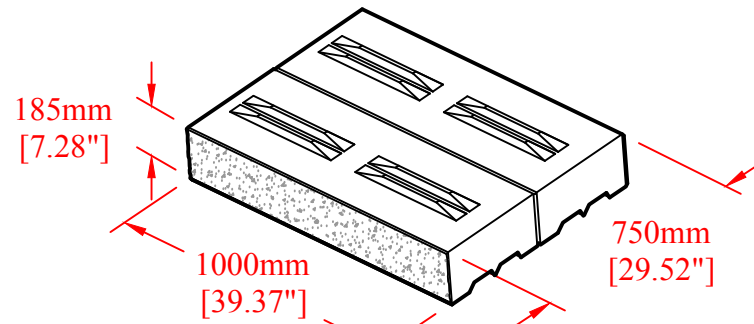
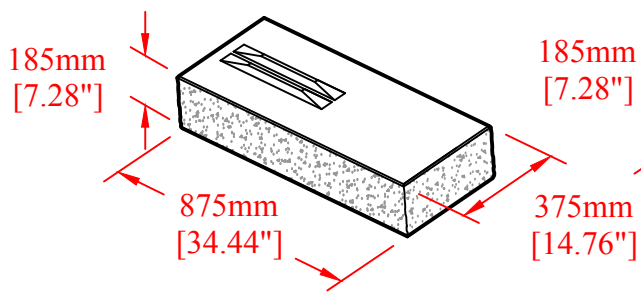


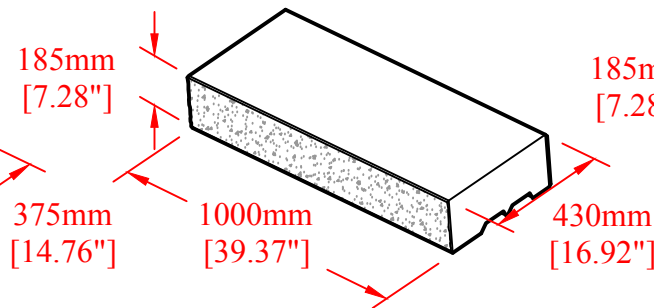
STANDARD UNIT



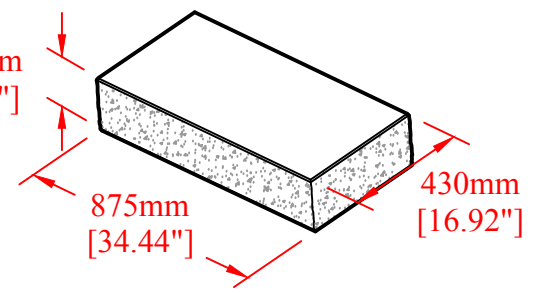
DOUBLE UNIT



CORNER UNIT



COPING UNIT



CORNER COPING UNIT



This graphic represents a preliminary, non site-specific design. If used for construction, a registered professional engineer must be retained to review & approve the design, confirm site conditions, and inspect construction.

Proterra™ Retaining Wall System
Split Face
Isometric Block Details